

NO J0080031  
Version Ae02  
2017.6.21

---

1

1.1

1.2

2

3

3.1

3.2

3.2.1

3.2.2

3.2.3

3.3

3.3.1

3.3.2

3.3.3

3.3.4

4

4.1

4.2

4.2.1

4.2.2

4.2.3

5

6

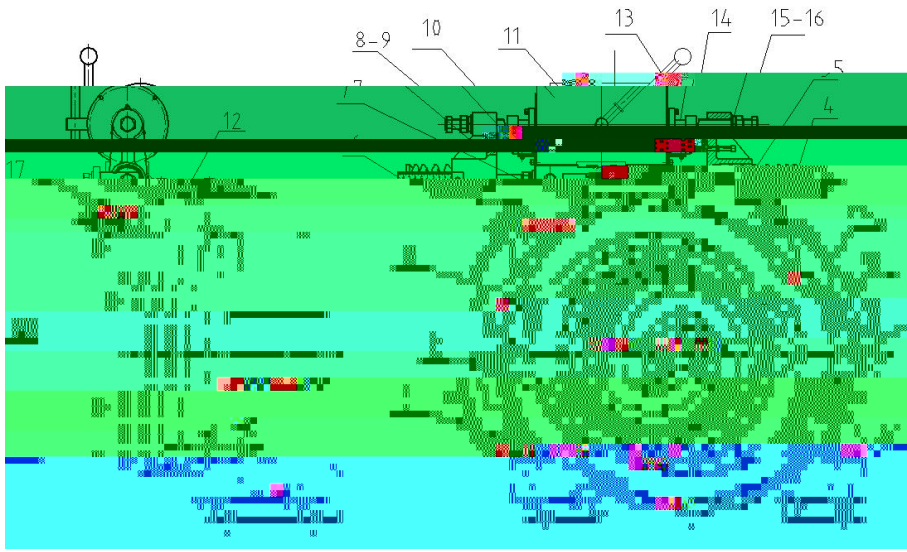
---

**1**

GB7588  
egvEN81-1 1998 Safety rules for the construction and  
installation of electric lifts

**1.1**

2



1		8		15	
2	( )	9		16	17
3		10		17	
4		11		18	
5		12		19	
6		13		20	
7	5	14		21	

1

3

3.1

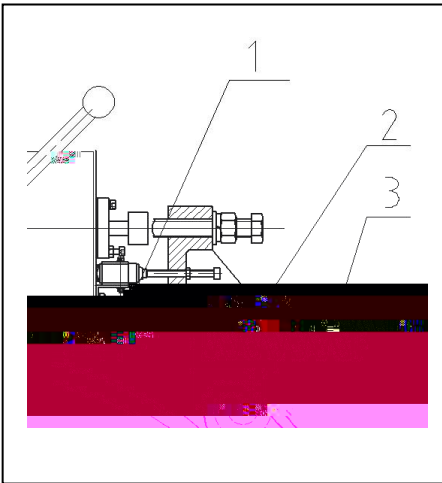


- 
- 

80

6

3.2  
3.2.1



- 1
  - 2
  - 3
- 1

2

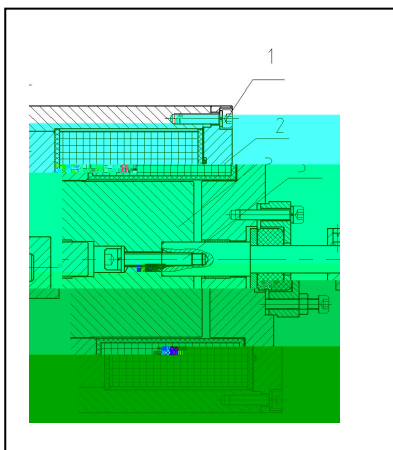


3



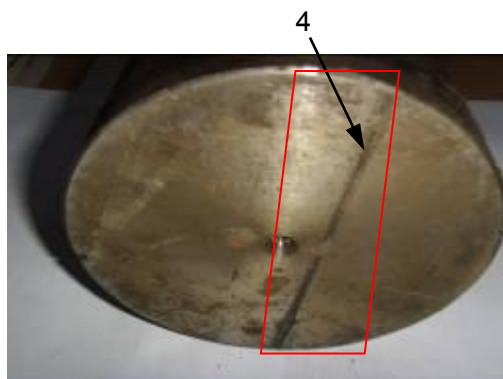
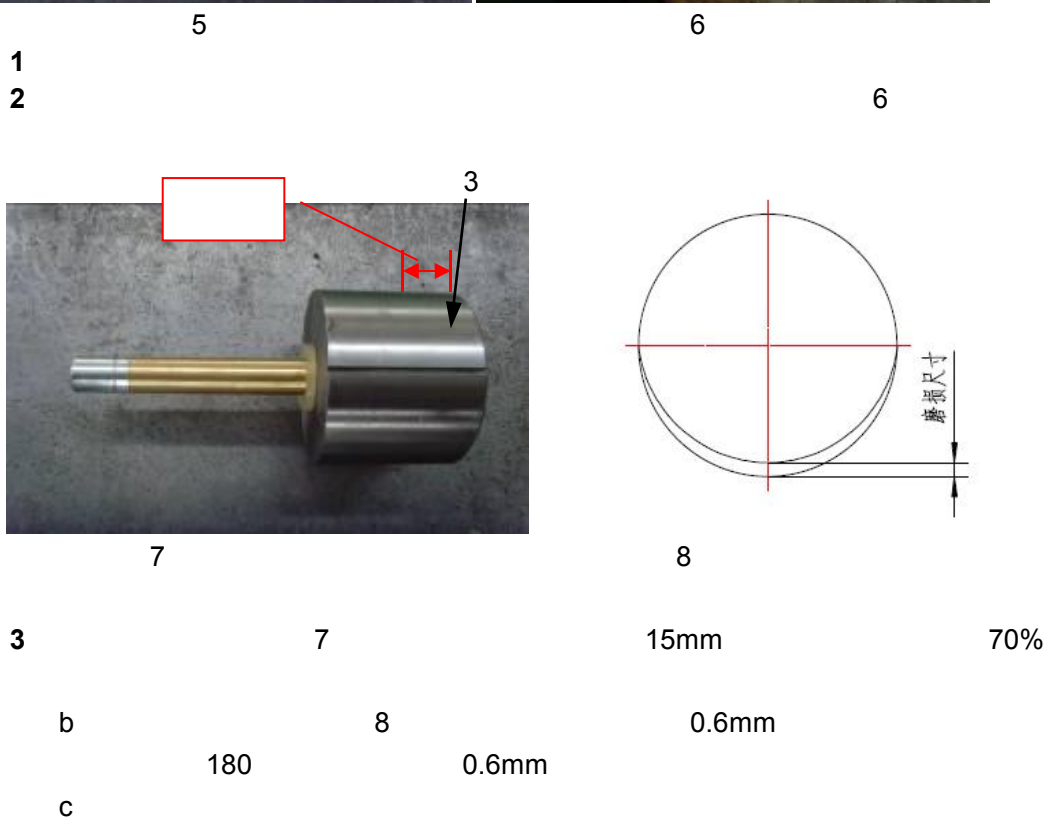
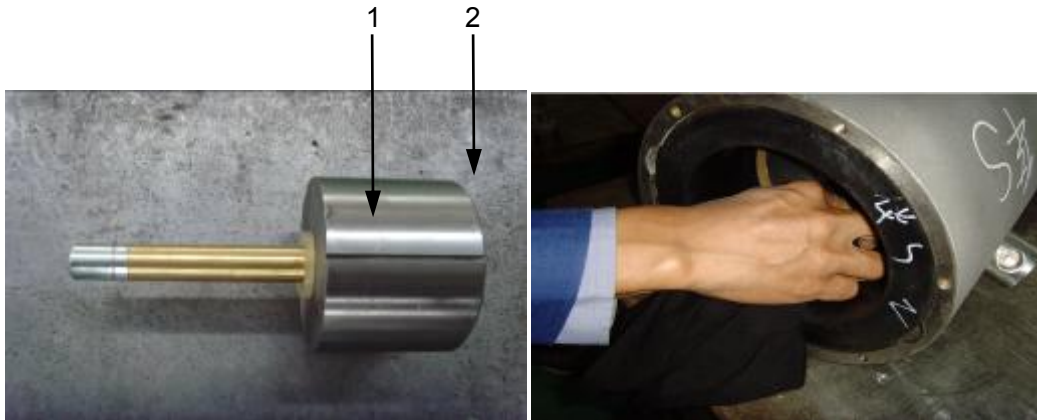
3

3.2.2



- 1
  - 2
  - 3
  - 4
- 1
- 3

3.2.3



8

4

8

5



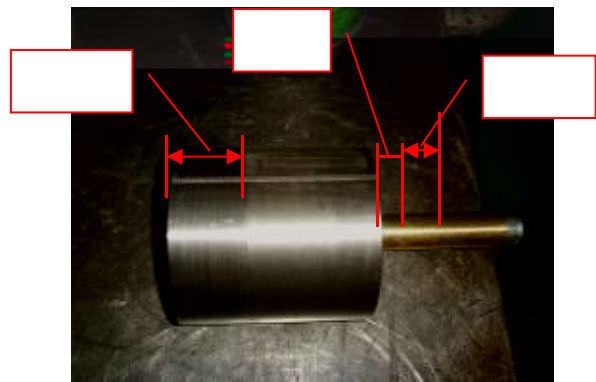
9

10

5

Permatex 680

10



12

6

12 30mm

12 15mm

0.05mm



3.3

3.3.1

3.2.1

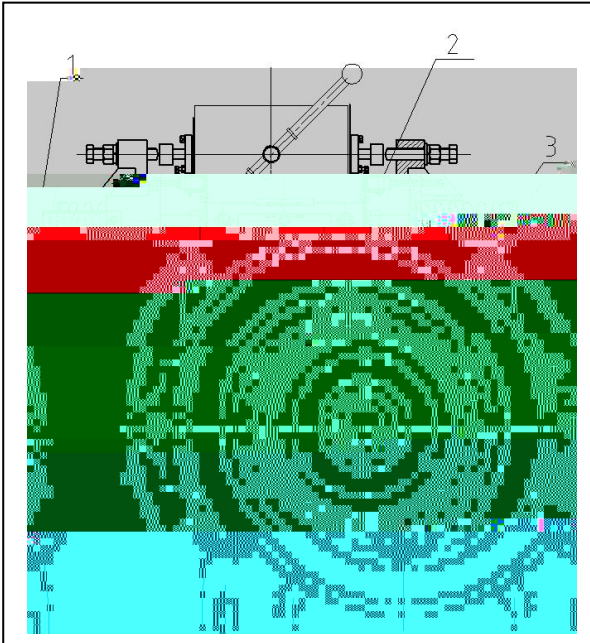


### 3.3.2



•

•



1

1~1.5

1

2

2,3

3

4

3mm

3.3.3

5

4.2.3

6

### 3.3.3

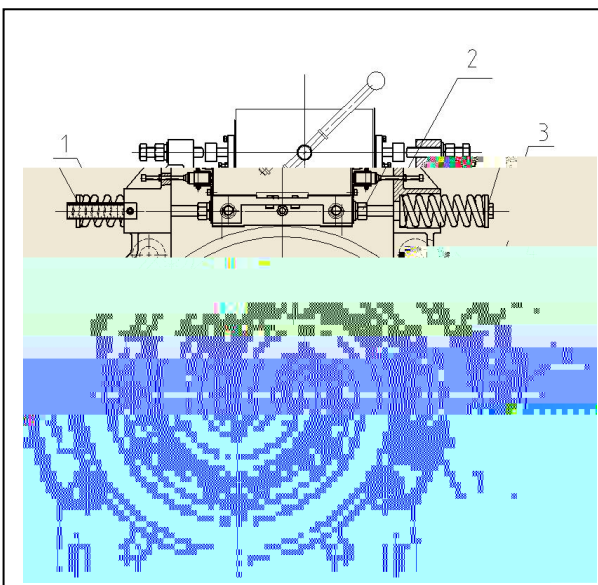


•

•

6mm

3mm



1

1~1.5

1

2

2,3

3

7



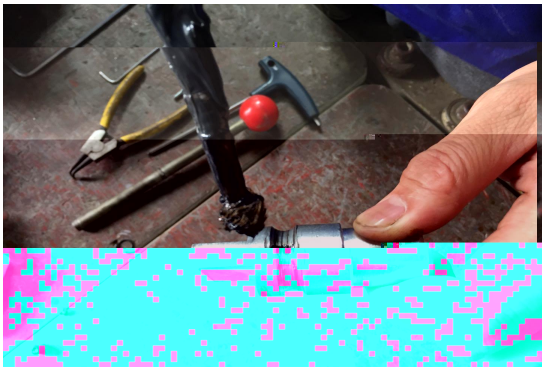
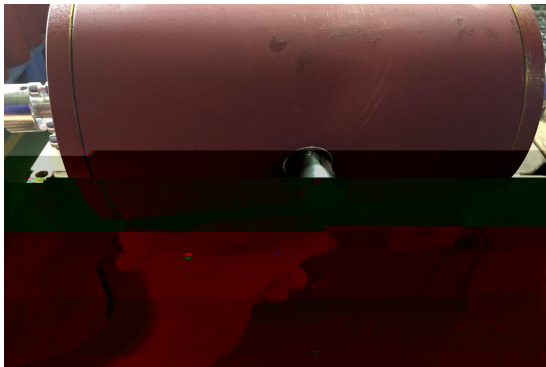
4

6

5

4.2

3.3.4



1

2 M5

---

3

4

5

6

7

4

4.1



4.2

4.2.1



4.2.3

0.2mm

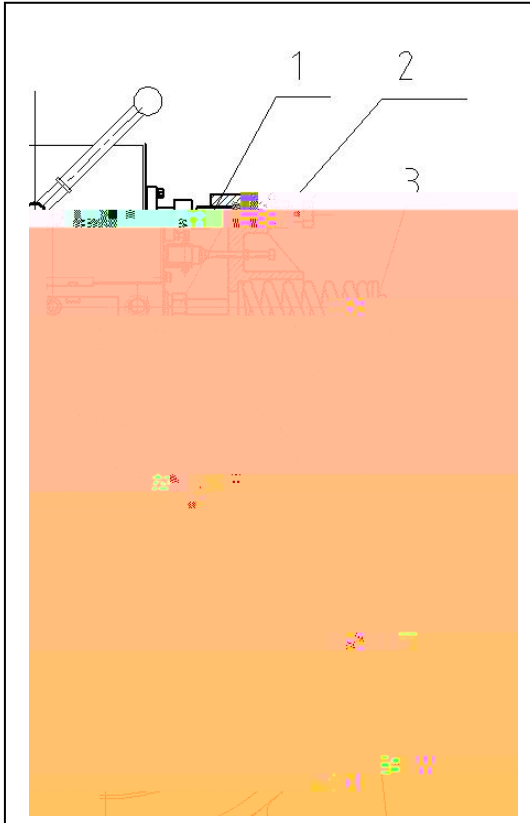
4.2.2



2×1.25

GB7588

4.2.3



A  
B(B )



5

1

	1	1
	2	2
	3	3

---

1

2

3

4

5

6

7

1

2

1

1

2

3

4

5

6

110V DC

7

1

2

80V DC

55V DC

80V DC

---

